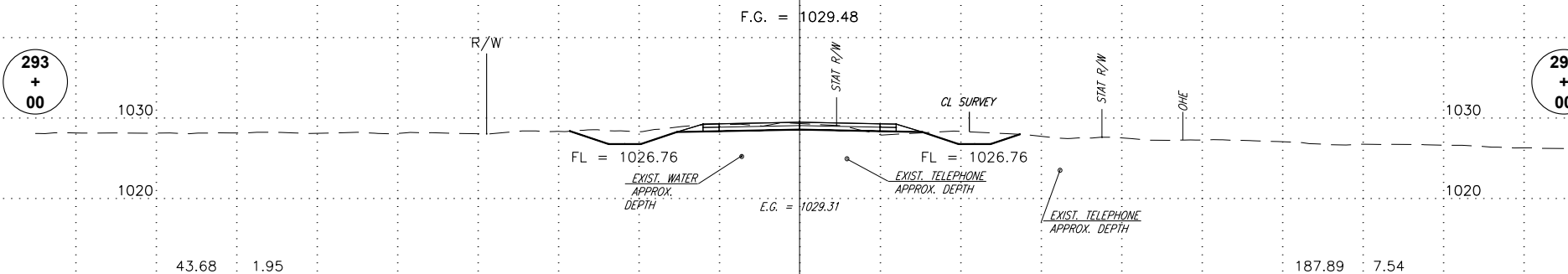
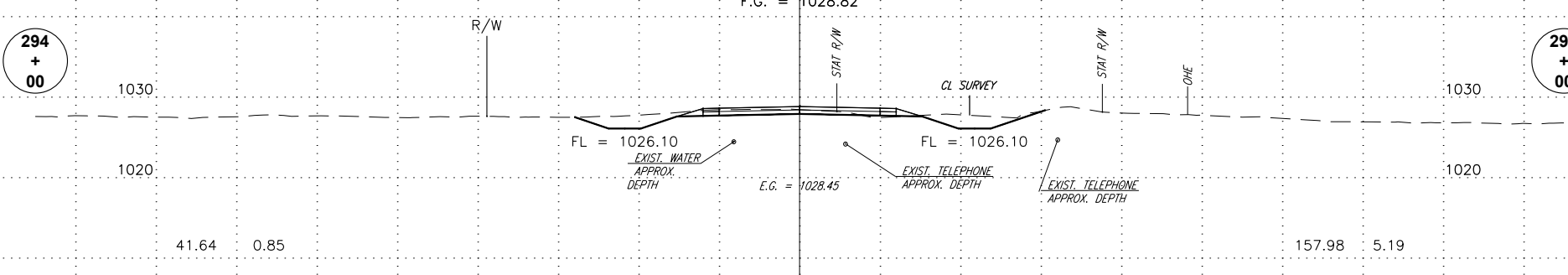
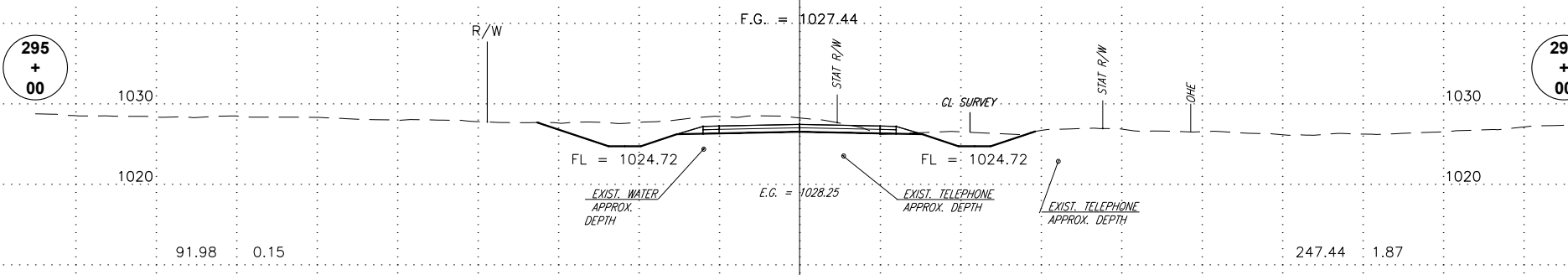
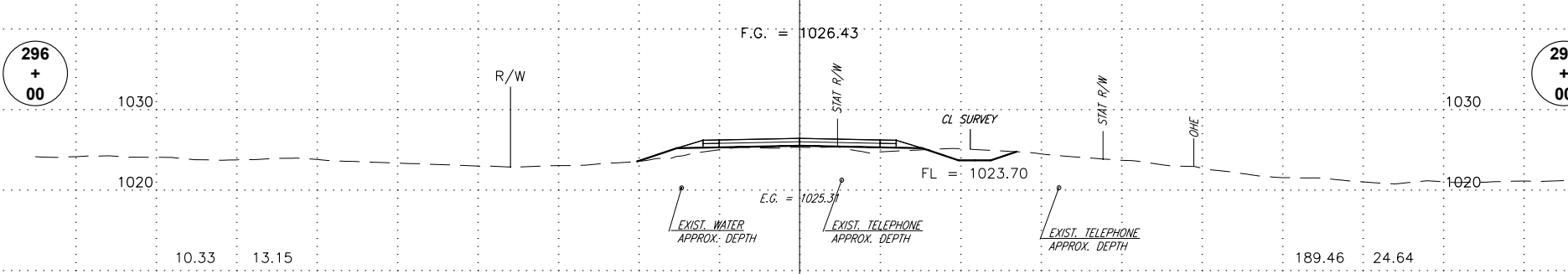
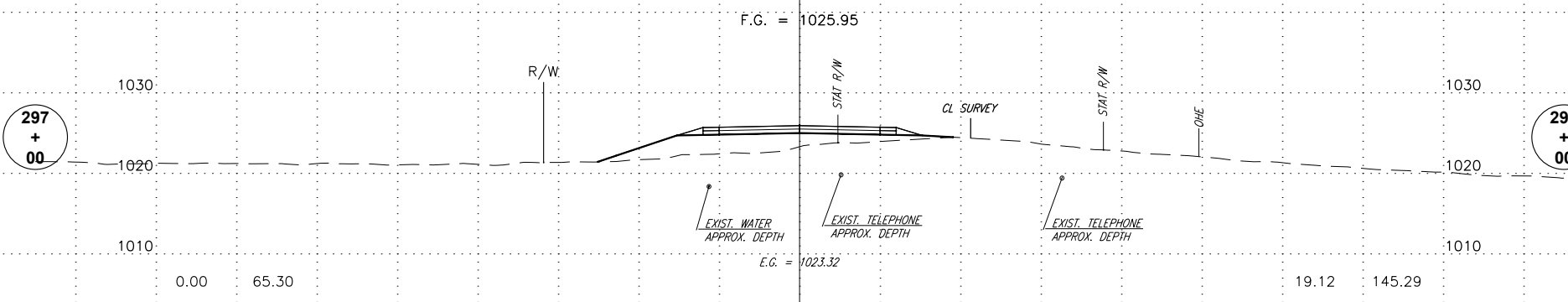
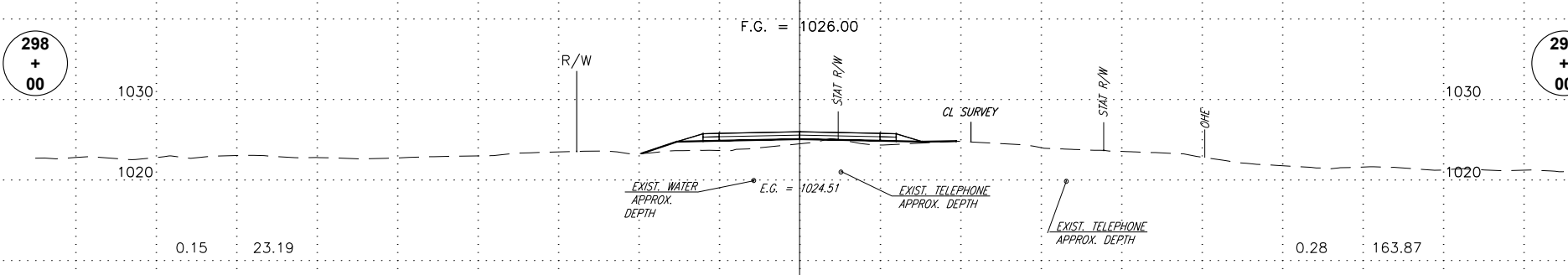
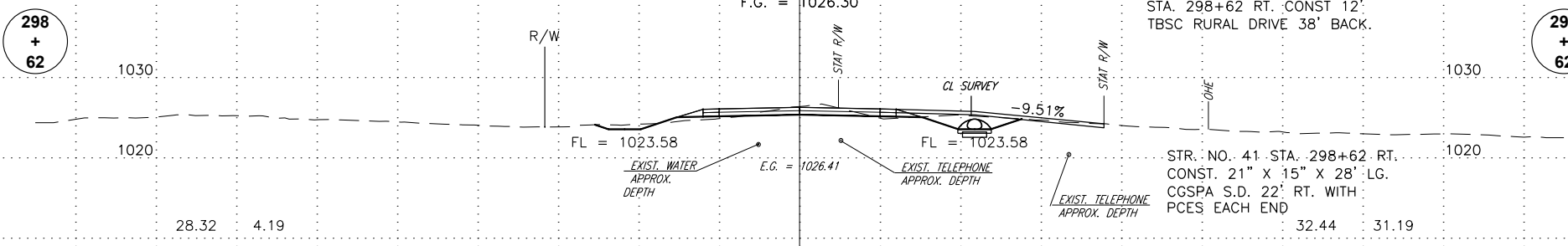


AREA S.F. EXC. EMB.

STA. 298+62 RT. CONST 12' TBSC RURAL DRIVE 38' BACK.



ALL UTILITY LOCATIONS AND DEPTHS ARE APPROXIMATE.